

Roller Blinds - Reflex™ Roll System with Ferrari Soltis Screen
Government: Parliament House, Melbourne, Victoria

Shading Systems of Australia
T: 1800 1 SHADE (74233)

E: sales@reflexshade.com.au W: www.reflexshade.com.au

Shading Systems of Australia | Engineered Shade™



Shading Systems | Engineered Shade of Australia

Reflex™ Roll System

Reflex™ Roll is a range of cassette roller blinds in four sizes and a great variety of options to adapt to the demands of both external solar protection applications and internal "blackout" style audio visual quality light control applications.

The options of the **Reflex™ Roll** system include three or four sided roller coverage (when the back of the roller will be visible) and a versatile, nylon plate mounting system allowing face, top or side fixing. The system also allows for many side guiding systems utilising either the 3.2mm stainless steel wire, or one of the powder coated, aluminium side guide channels - 40 x 25mm plain for external applications or 40 x 25mm light sealing side rails, all with easy mounting capabilities.

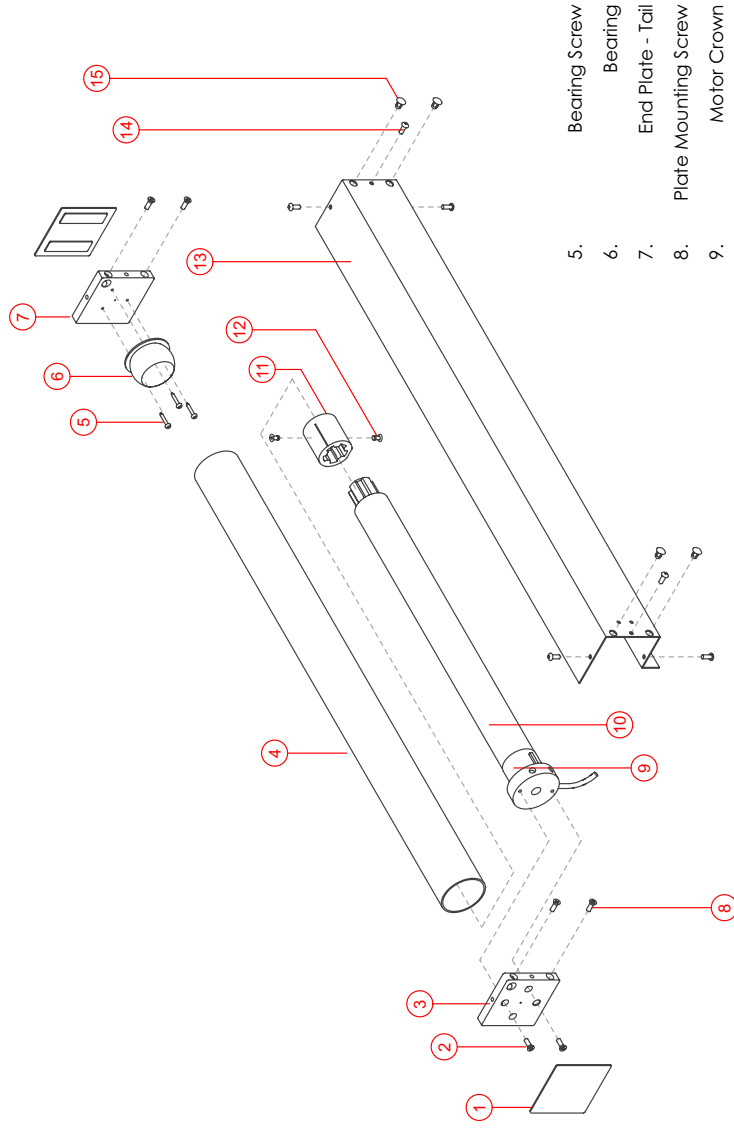
The **Reflex™ Roll** system also includes the **RS8 & RS10** models of skylight blind, intended for use in applications calling for horizontal operation where both ends of the blind have rollers within cassettes, with the inclusion of a spring tension system in the second housing, to create a full tension system for the fabric element.

All covers are powder coated or anodised 1.6mm aluminium and the rollers are high tensile aluminium with a natural anodised finish for strength and durability. All internal and external components are completely weather proof being aluminium, nylon or stainless steel.

The **Reflex™ Roll** system can support the many screen, solid or sheer fabric elements currently available in the market. The **Reflex™ Roll** system is fully complemented with the vast range of **Reflex™** control systems, from simple wall switches to remote controls, bus line systems and computer interfacing, making **Reflex™ Roll** the answer to all your motorised roller blind demands.



Reflex™ Roll System - Exploded



Item	Description
1.	End Cover Plate
2.	Motor Fixing Screw
3.	End Plate - Motor
4.	Roller Tube

5.	Bearing Screw
6.	Bearing
7.	End Plate - Tail
8.	Plate Mounting Screw
9.	Motor Crown
10.	Motor
11.	Motor Wheel
12.	Rivet
13.	Single Cover
14.	Cover Mounting Screw
15.	Hole Plug

Shading Systems of Australia

T: 1800 1 SHADE (74233)

E: sales@reflexshade.com.au W: www.reflexshade.com.au

