

Internal Roller Blinds - Suparoll™ System with Mermet M- Screen
Residential: Beaumaris, Melbourne, Victoria

Shading Systems of Australia
T: 1800 1 SHADE (74233)
E: sales@reflexshade.com.au W: www.reflexshade.com.au

**Shading Systems | Engineered Shade
of Australia**



Shading Systems | Engineered Shade of Australia

Suparoll™ System

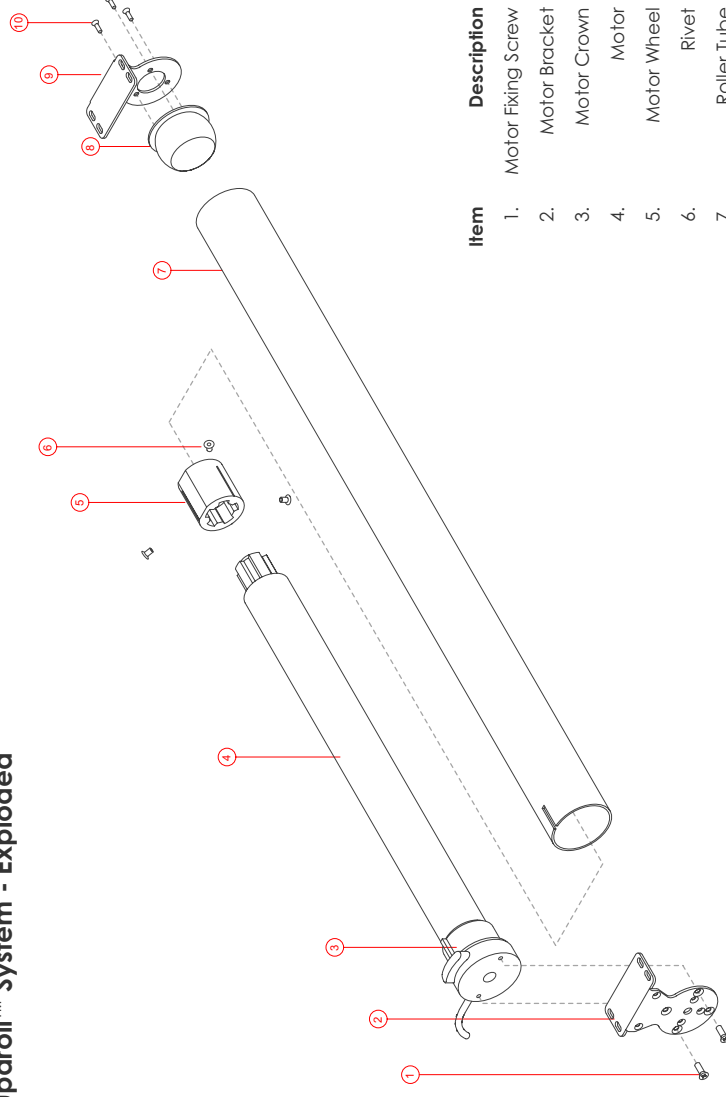
The **Suparoll™** system is a 240 volt, motorised, internal roller blind system that is extremely versatile and provides a sleek and clean appearance, suitable for both commercial and residential applications. With its six individual sizes including 40, 60, 80, 100, 127 and 150mm diameter roller tubes, the **Suparoll™** system can be incorporated into various applications with many additional component options available including various fabric densities and textures and mechanical accessories such as stainless steel hardware, side guide wires, spring assisted return, tension rollers for inclined installations, etc.

This system also features a unique dual option where two roller blinds on parallel rollers can be affixed as one, giving facility for both a light blocking and light screening element to present three options to a given window (open, screened & blackout). In addition, this system also features a unique "spherical" bearing to support the high tensile, aluminium rollers together with a rigid or flexible drive shaft which allows the rollers to be linked in a straight line or axially misaligned, by up to 90° from straight, whilst still being driven by a single motor.

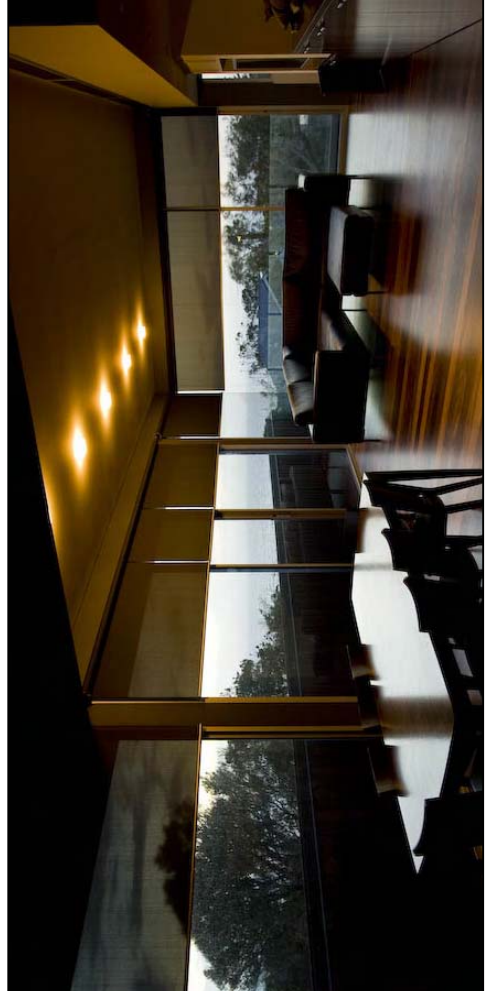
This versatility reduces motorisation costs considerably.

The **Suparoll™** system is fully complemented with the vast range of **Reflex™** control systems, from simple wall switches to remote controls, bus line systems and computer interfacing, making **Suparoll™** the answer to all your motorised roller blind demands.

Suparoll™ System - Exploded



Item	Description
1.	Motor Fixing Screw
2.	Motor Bracket
3.	Motor Crown
4.	Motor
5.	Motor Wheel
6.	Rivet
7.	Roller Tube
8.	Bearing
9.	Tail Bracket
10.	Bearing Screw



Shading Systems of Australia
T: 1800 1 SHADE (74233)

E: sales@reflexshade.com.au W: www.reflexshade.com.au